

Fine Dust Filters

Fine dust filter units are totally enclosed and are suitable for filtering all types of fine dust.



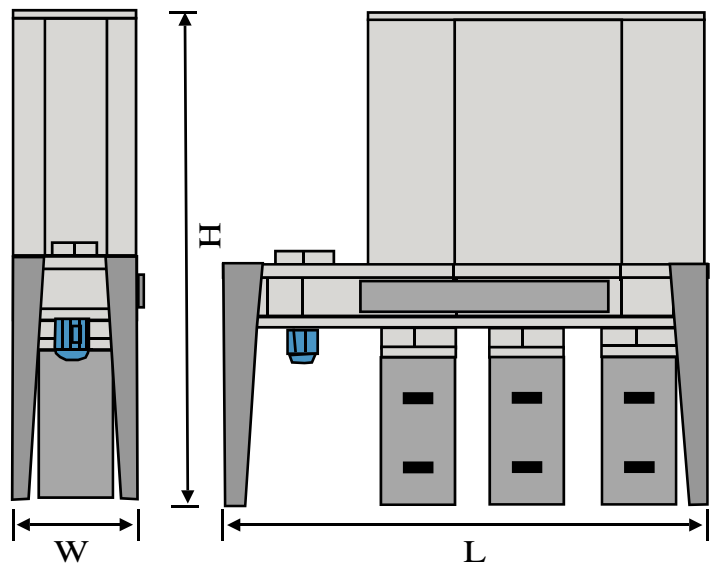
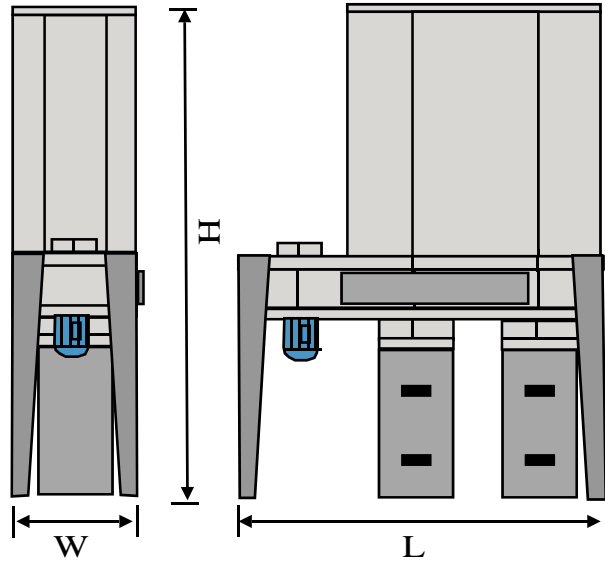
NEW
'WHISPER'
silenced running
feature available
on this model

Fine Dust Extraction

An automatic shaking motor is fitted as standard to fine dust filter units. This operates each time the main fan is shut down.

The filter sleeves are manufactured from best quality terylene needlefelt.

All metal components are manufactured from best quality galvanised mild steel.



Safety Technology

Following the recent legislation regarding explosion relief, all fine dust units have an explosion panel fitted as standard.

Filter Model	Filter Area Sq ft	L	H	W	HP	Bins	Bin Area CU ft
FD2 / 5.5	150	1853	2560	700	5.5	2	8
FD2 / 5.5e	200	1853	2235	700	5.5	2	8
FD3 / 7.5	225	2480	2560	700	7.5	3	12
FD3 / 7.5e	300	2480	2235	700	7.5	3	12



BAGGING FILTERS



LARGE FILTERS



ANCILLERY



HEATERS



CHIPPERS