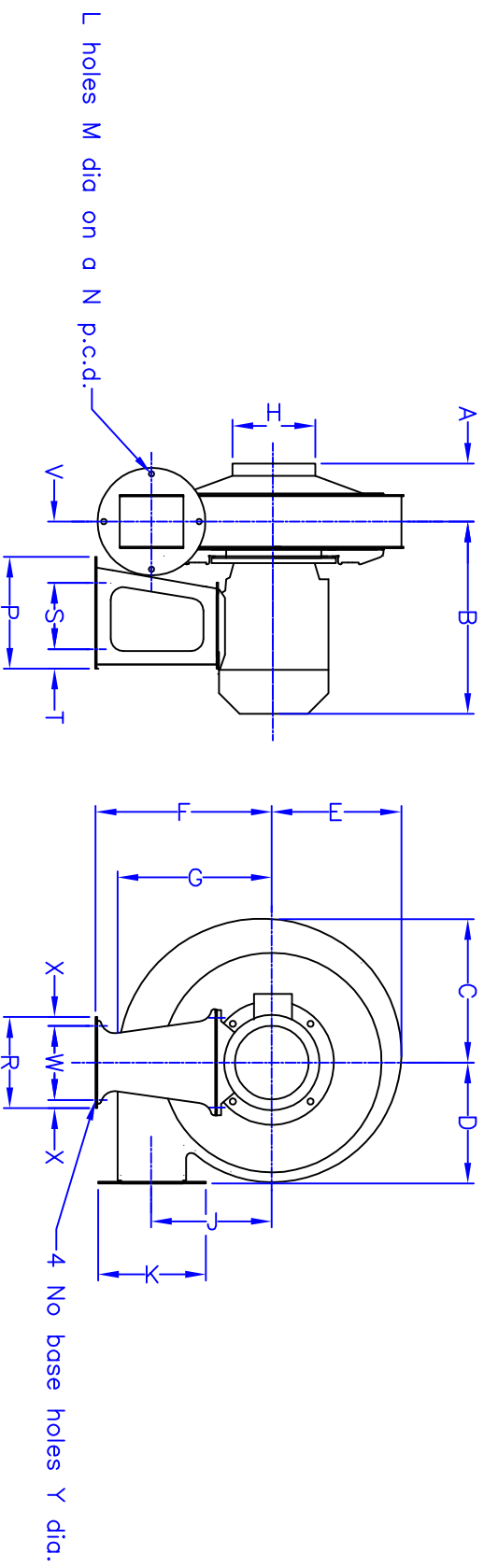


| | | | |
|-----------------|-----------------|----------------------------------|------|
| TITLE | | DG PERFORMANCE CURVE | |
| 100/60 & 100/80 | | | |
| ISSUE | INITIAL RELEASE | D.Y. | D.Y. |
| A | | | |
| DESCRIPTION | | DRAWN APP'D DATE | |
| ALTERATIONS | | | |
| | | RHF DRG. No. \V1\SPREGAL\5153003 | |



| FAN | GENERAL | | | | | | | | | | | | | FIXING DETAILS | | | | | | | | | | | | | MOTOR DETAILS | | |
|----------|---------|-----|-----|-----|-----|-----|-----|-----|-----|-----|---|----|-----|----------------|-----|-----|----|-----|-----|----|----|------|------|-------|-----|----|---------------|--|--|
| | SIZE | A | B | C | D | E | F | G | H | J | K | L | M | N | P | R | S | T | V | W | X | Y | KW | FRAME | AMP | WT | | | |
| DG100/80 | 138 | 453 | 348 | 291 | 313 | 425 | 372 | 200 | 291 | 260 | 4 | 13 | 230 | 270 | 220 | 160 | 47 | 148 | 180 | 20 | 12 | 5.5 | 132S | 11.9 | 68 | | | | |
| DG100/60 | 138 | 391 | 348 | 291 | 313 | 425 | 372 | 200 | 291 | 260 | 4 | 13 | 230 | 270 | 220 | 160 | 47 | 122 | 180 | 20 | 12 | 3.0 | 100 | 6.1 | 53 | | | | |
| DG90 | 135 | 360 | 286 | 240 | 257 | 370 | 306 | 200 | 238 | 260 | 4 | 13 | 230 | 255 | 180 | 120 | 70 | 116 | 140 | 20 | 12 | 2.2 | 90L | 4.6 | 42 | | | | |
| DG38 | 128 | 325 | 286 | 240 | 257 | 335 | 306 | 200 | 238 | 190 | 4 | 13 | 165 | 230 | 180 | 120 | 57 | 94 | 140 | 20 | 12 | 1.5 | 90S | 3.3 | 40 | | | | |
| DG33 | 132 | 303 | 254 | 213 | 229 | 325 | 272 | 125 | 211 | 165 | 4 | 10 | 145 | 230 | 150 | 100 | 67 | 93 | 110 | 20 | 12 | 0.75 | 80 | 1.8 | 36 | | | | |

| TITLE | | DIMENSION DETAILS | |
|------------------|-----------------|--------------------|------|
| DG RANGE OF FANS | | DG RANGE OF FANS | |
| ISSUE | DESCRIPTION | DATE | DATE |
| A | INITIAL RELEASE | | |
| ALTERATIONS | | | |
| RF# | DRG. No. | VYI\SPEC\185740002 | |