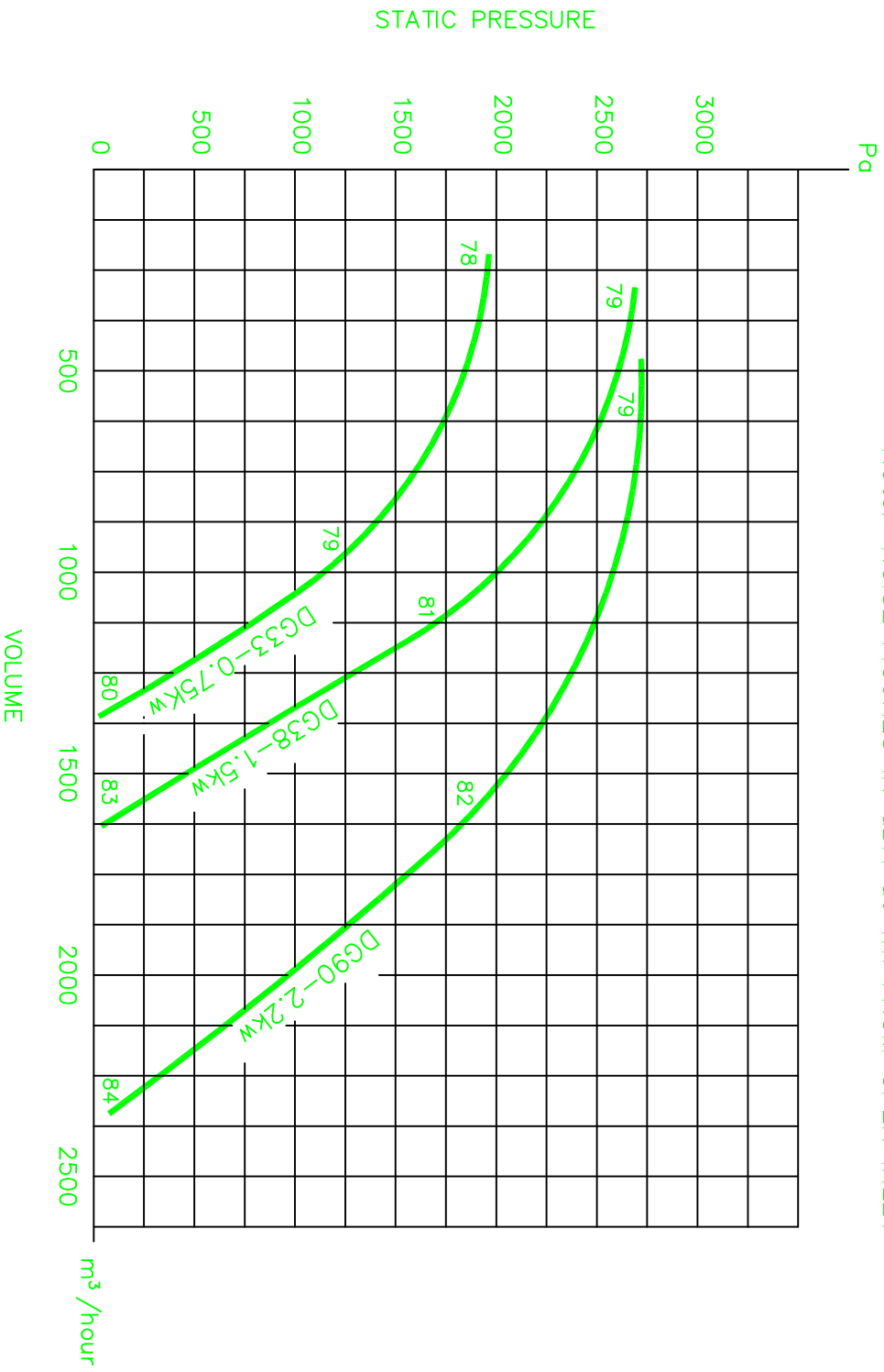
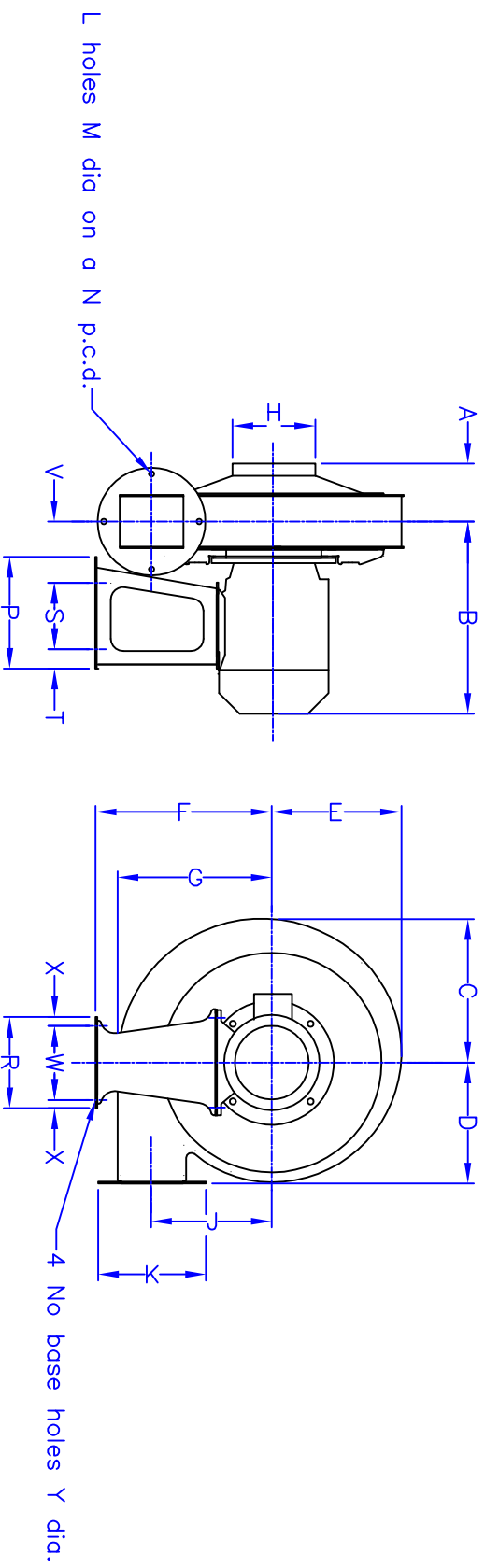


Note: - NOISE FIGURES IN dBA at 1m FROM OPEN INLET



B		VOLUME SCALE CORRECTED(HALVED)		D.F. (M/M)	
A		INITIAL RELEASE		D.F. (M/M)	
ISSUE		DESCRIPTION		APPRO DATE	
ALTERATIONS					
TITLE				DRG. No. V11/SPECIAL/S153001	
DG PERFORMANCE CURVES					



FAN	GENERAL													FIXING DETAILS													MOTOR DETAILS		
	SIZE	A	B	C	D	E	F	G	H	J	K	L	M	N	P	R	S	T	V	W	X	Y	KW	FRAME	AMP	WT			
DG100/80	138	453	348	291	313	425	372	200	291	260	4	13	230	270	220	160	47	148	180	20	12	5.5	132S	11.9	68				
DG100/60	138	391	348	291	313	425	372	200	291	260	4	13	230	270	220	160	47	122	180	20	12	3.0	100	6.1	53				
DG90	135	360	286	240	257	370	306	200	238	260	4	13	230	255	180	120	70	116	140	20	12	2.2	90L	4.6	42				
DG38	128	325	286	240	257	335	306	200	238	190	4	13	165	230	180	120	57	94	140	20	12	1.5	90S	3.3	40				
DG33	132	303	254	213	229	325	272	125	211	165	4	10	145	230	150	100	67	93	110	20	12	0.75	80	1.8	36				

TITLE		DIMENSION DETAILS		DG RANGE OF FANS	
ISSUE	DESCRIPTION	DATE	BY	DATE	BY
A	INITIAL RELEASE				
ALTERATIONS					
RF# DRG. No. VY115/SPECIAL/85740002					